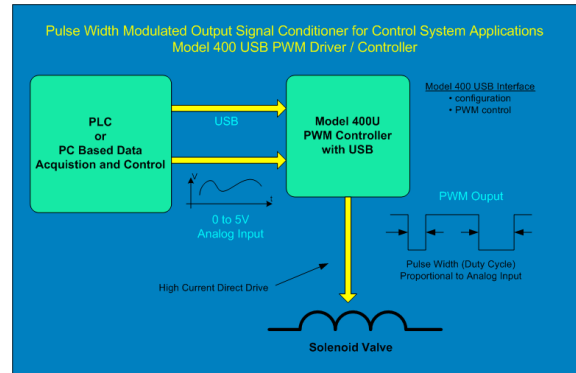


Applied Processor and Measurement, Inc. announces the Model 400 PWM Driver / Controller with USB Interface for industrial solenoid / valve drive applications.

East Amherst, NY, September 20, 2016: Applied Processor and Measurement, Inc. announces the release of the Model 400 USB PWM Driver / Controller. The Model 400 is designed to provide a high-power, low-side drive, pulse width modulated output for control of PWM valves, solenoids and modules requiring a PWM signal for control (such as HVA/C blower fan speed controllers). The Model 400 is readily interfaced to PC data systems with analog outputs, PLC's and control systems for PWM valve and solenoid development and test, industrial applications and automotive test and development applications. The Model 400 USB is an updated version of our existing Model 400 product (RS232 based) with a USB communications interface and increased PWM frequency range. Product is available to ship now.



Features of the new Model 400 USB PWM Driver / Controller:



- low cost, stand-alone, PWM Driver using accurate, repeatable and reliable APM, Inc. digitally generated PWM technology
 - PWM output: 0.08 to 5000Hz, 0 to 100% duty cycle
 - USB interface for easy configuration and control
 - analog control of duty cycle with opto-isolated enable input, or, optional 2nd analog input for PWM frequency control, differential analog inputs
 - status and output LED indicators
 - power MOSFET output with low side load control, fuse protected
 - PWM output sinks up to 4A at 12V
 - controller operates from 9 to 28V DC
 - load may be operated with up to 50V DC
 - I/O connection using screw-down, terminal strips
 - applications: solenoids, valves, actuators, PWM speed control modules
- signal conditioning style unit, small form factor, fully enclosed, DIN mount option available at no extra cost
 - industrial temp rated, rugged construction – designed for high reliability and long service life, 1 year warranty

Refer to our website for a datasheet with a complete list of features and specifications, and a technical bulletin (TB-0004) on differences between the new USB and legacy (RS232) Model 400 units. The Model 400 USB is available to ship now: order numbers: PWMC-400U, PWMC400UA (2 analog inputs), or PWMC-400U-DIN, PWMC-400UA-DIN for a DIN rail mountable devices. All APM, Inc. standard products are available from stock to 1 week in low order quantities. E-mail APM, Inc. for pricing at sales@appliedprocessor.com.

About The Company

Applied Processor and Measurement, Inc. (APM, Inc.) designs and manufactures PWM drivers and controls for valves and solenoids, and, signal conditioners and motion controls for use in industrial, automotive and commercial applications. APM, Inc. products involve the application of embedded microcomputers, and associated analog and digital electronics, which provide electronic control and measurement solutions for our customers. APM, Inc. has been supplying PWM drivers and electronic control products for over 25 years.

Contact:

For more information:

- technical information or quotes on the Model 400 USB PWM Driver/Controller, or any APM, Inc. product
- inquiries on customizations and OEM controller development
- information on this news release or the company

Also available:

- Model 205 PWM Controller – desktop style unit, high performance
- Model 400L PWM Driver/Controller – analog to PWM control, legacy RS232 interface based
- Model 402 PWM Driver/Controller – RS-232 to PWM control
- Model 500 Peak and Hold PWM Driver – timed peak and hold solenoid drive applications

Robert B. Drzewiecki, Vice President, Product Development
Applied Processor and Measurement, Inc.
Phone: 716-741-1141

www.appliedprocessor.com
sales@appliedprocessor.com